



HIGH-SCHOOLCANSAT MODEL FOR ADVANCEMENT OF AGRICULTURAL PROCESS IN THAILAND

21st June 2019

*Dr. Peeramed Chodkaveekityada &
Agricultural Exploration Assistant Satellite Team*

SPONSORED BY AIRASIA THAILAND



CONTENTS

-  Introduction, Objectives & Missions
-  Plant Growth Environmental Factors
-  Mechanical Design
-  Electronics & Circuit Design
-  Data Analysis & Results

SPONSORED BY AIRASIA THAILAND





INTRODUCTION OBJECTIVES & MISSIONS

Chayakorn Vongbunsin

SPONSORED BY AIRASIA THAILAND

INTRODUCTION

BACKGROUNDS & PROBLEMS

- 1 | Data Accessibility Problems**
- 2 | Growth Deficiency of Crops**
- 3 | Most farmers' incomes are below poverty line of Thailand**

SPONSORED BY AIRASIA THAILAND



INTRODUCTION

6 THAI ECONOMIC CROPS



Rice



Rubber Tree



Maize



Cassava



Palm



Sugarcane

SPONSORED BY AIRASIA THAILAND



OBJECTIVES & MISSIONS

1

To collect atmospheric physical data: temperature, humidity, carbon dioxide intensity, average annual rainfall, red and blue light intensity from atmosphere and databases. Use data to decide which crop is the most suitable to be grown in the area.

To use the following parameters to visualize the suitable area by using spatial analysis method.

2

SPONSORED BY AIRASIA THAILAND



The background is a solid teal color with a faint, semi-transparent image of rice stalks and leaves. The text is centered and white with a slight drop shadow.

PLANT GROWTH ENVIRONMENTAL FACTORS

Vivatsathorn Thitasirivit

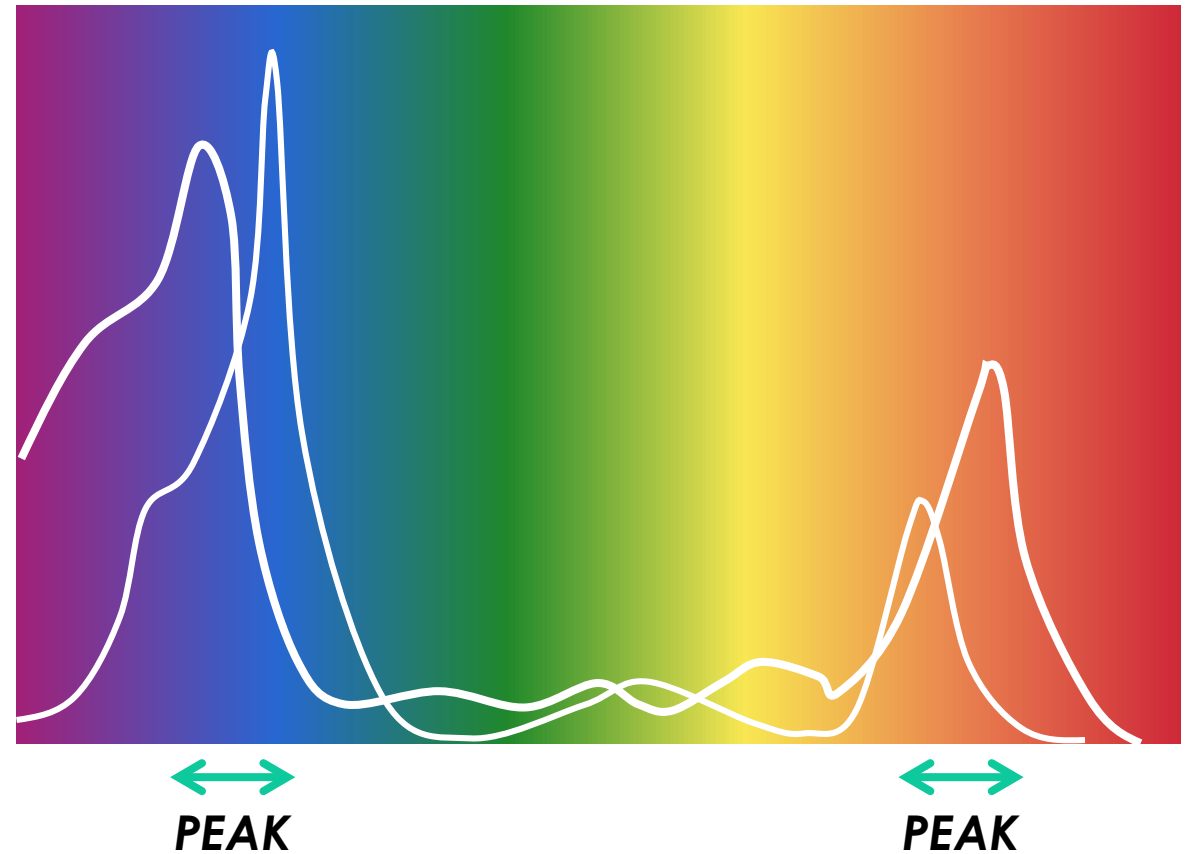
SPONSORED BY AIRASIA THAILAND

ENVIRONMENTAL FACTORS

1 LIGHT

Plants need sufficient light source to help the photosynthetic process in order to grow into crops.

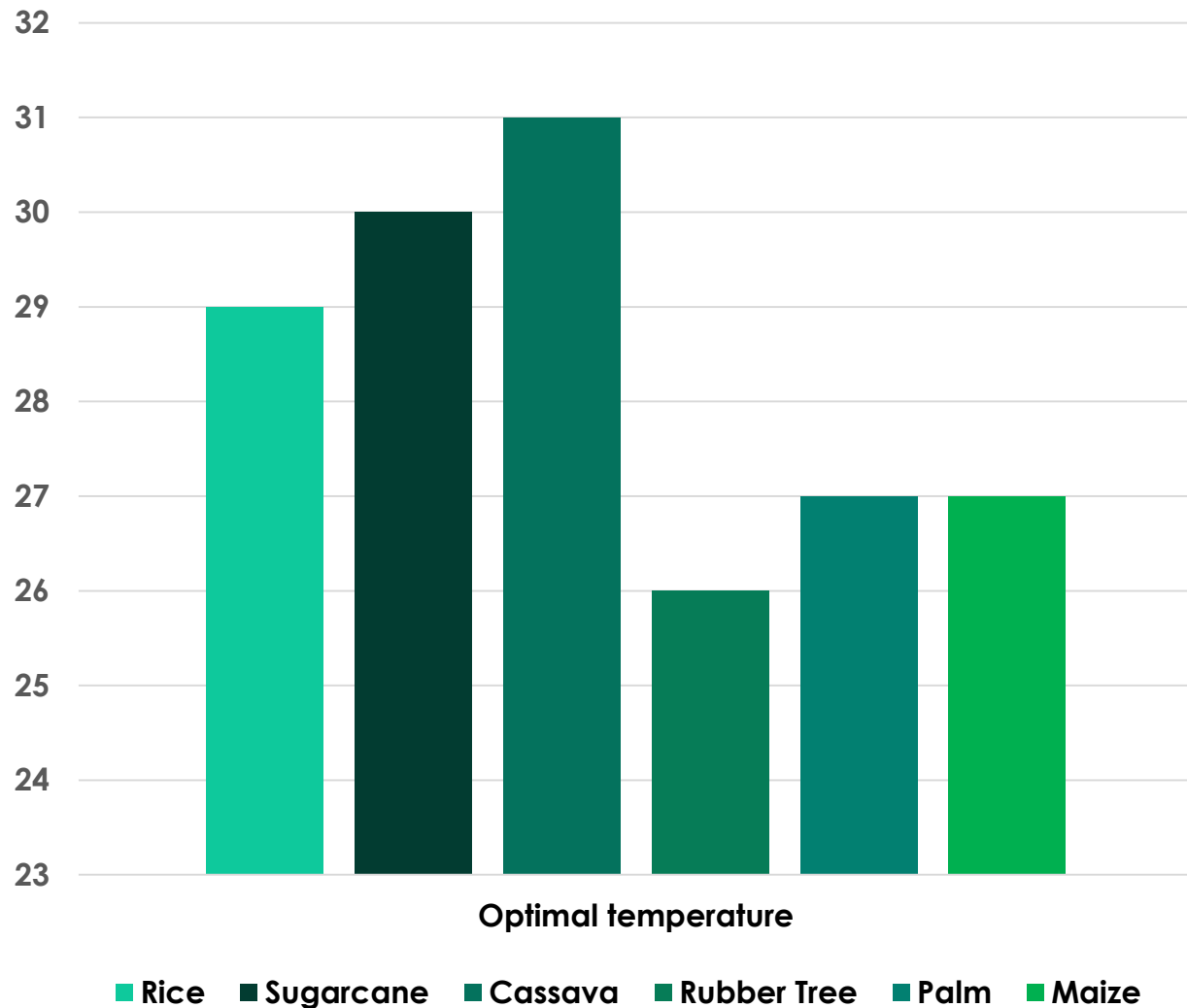
Wavelength ranges of light source which are required for plant growth range from **430 – 453 nm** (blue light) and **642 – 662 nm** (red light) for Chlorophyll A and B.



SPONSORED BY AIRASIA THAILAND



ENVIRONMENTAL FACTORS



2 TEMPERATURE

Thai economic crops have similar range of optimal temperature which varies from 26 – 31 °C and differs from each type. In this case,

Rice: 29 °C

Sugarcane: 30 °C

Cassava: 31 °C

Rubber Tree: 26 °C

Palm: 27 °C

Maize: 27 °C

SPONSORED BY AIRASIA THAILAND



ENVIRONMENTAL FACTORS

3 HUMIDITY

Humidity (Relative Humidity) affects when and how plants open the stomata on their leaves.

4 ANNUAL RAINFALL

If annual rainfall is too much or too low, crops will be unable to grow in such situation.

5 CARBON DIOXIDE INTENSITY

Carbon dioxide is used in photosynthetic process.

SPONSORED BY AIRASIA THAILAND



The background is a solid teal color with a faint, semi-transparent image of rice stalks and grain heads. The text is centered on the page.

MECHANICAL DESIGN

Chayanin Uthanpathumros

SPONSORED BY AIRASIA THAILAND

ENCLOSURE & COMPARTMENT

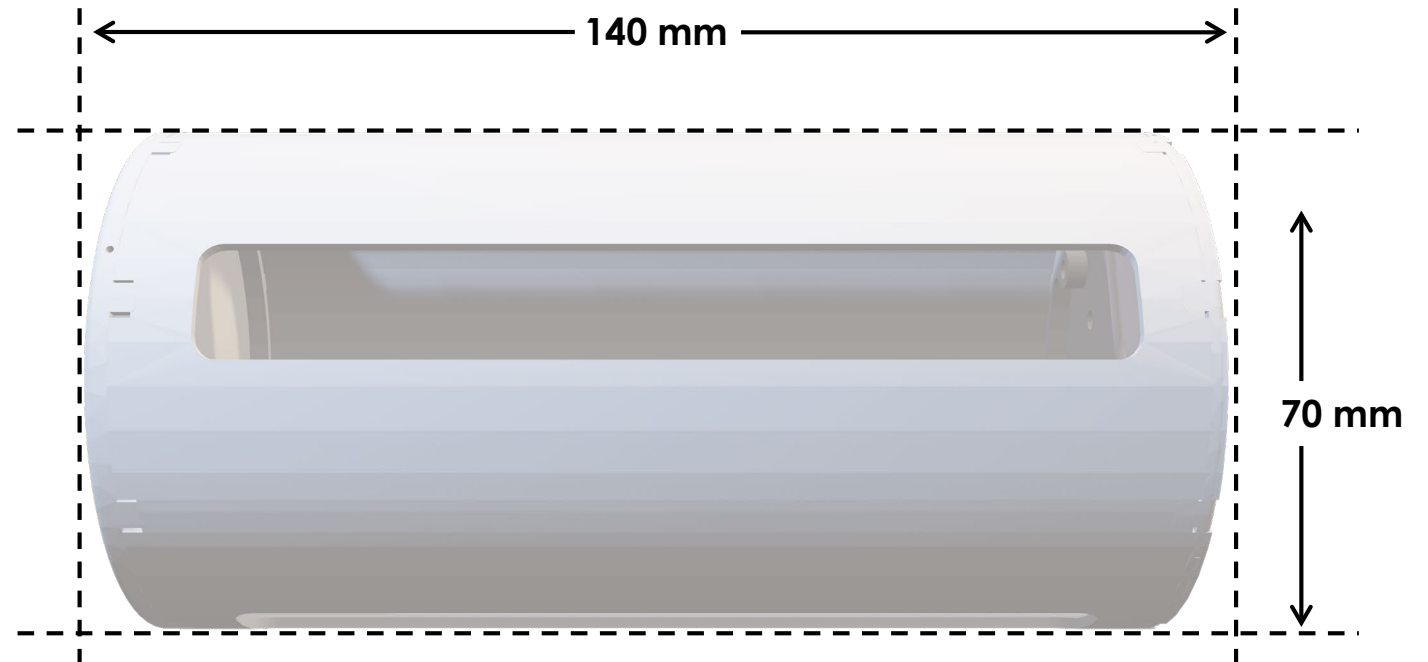
DIMENSION

Diameter : 70 mm

Height : 140 mm

TOTAL WEIGHT

290 grams (including
Parachute)



SPONSORED BY AIRASIA THAILAND

ENCLOSURE & COMPARTMENT



DESIGNS

I) **MATERIAL** : PETG Plastic

II) **COMPARTMENT DESIGN**

- Stacked PCBs
- Cutouts for Aerodynamics & Camera

SPONSORED BY AIRASIA THAILAND



ENCLOSURE & COMPARTMENT

The descending angle is tilted from perpendicular to the ground to increase aerodynamics of the vehicle.



SPONSORED BY AIRASIA THAILAND



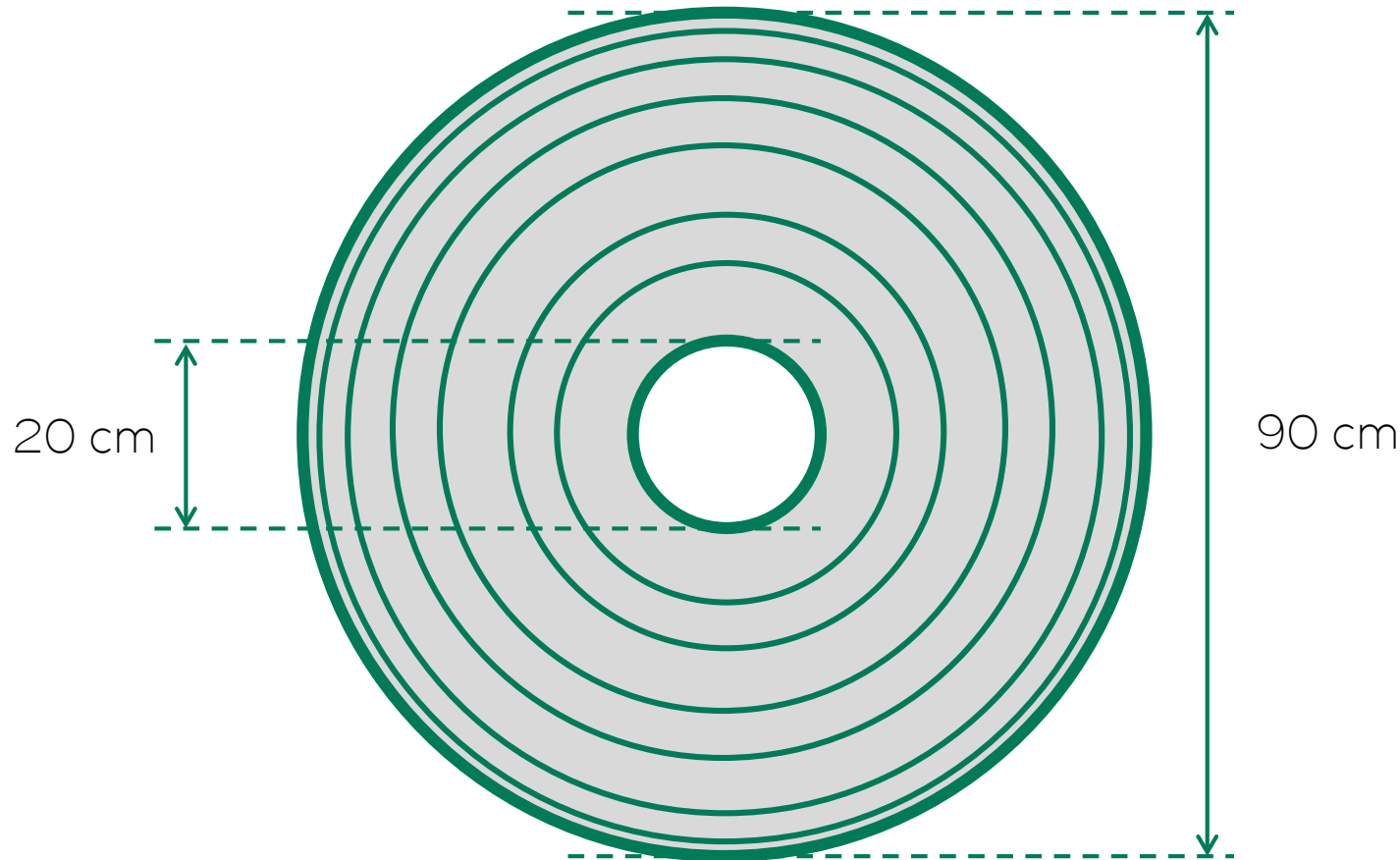
ENCLOSURE & COMPARTMENT

ACCORDION

SPONSORED BY AIRASIA THAILAND



PARACHUTE



TYPE

Round-type with
circular air vent

DIMENSION

Outer Diameter : 90 cm
Inner Diameter : 20 cm

SPONSORED BY AIRASIA THAILAND



The background is a solid teal color with a faint, repeating pattern of rice stalks and leaves, creating a textured, agricultural aesthetic.

ELECTRONICS & CIRCUIT DESIGN

Bhavat Ngamdeevilaisak

SPONSORED BY AIRASIA THAILAND

ELECTRONICS & CIRCUIT

Data is gathered from 3 parts:

■ | **CANSAT & COMMUNICATION**

■ | **GROUND UNIT**

■ | **EXISTING DATABASES**

SPONSORED BY AIRASIA THAILAND



ELECTRONICS & CIRCUIT

Data is gathered from 3 parts:

■ | **CANSAT & COMMUNICATION**

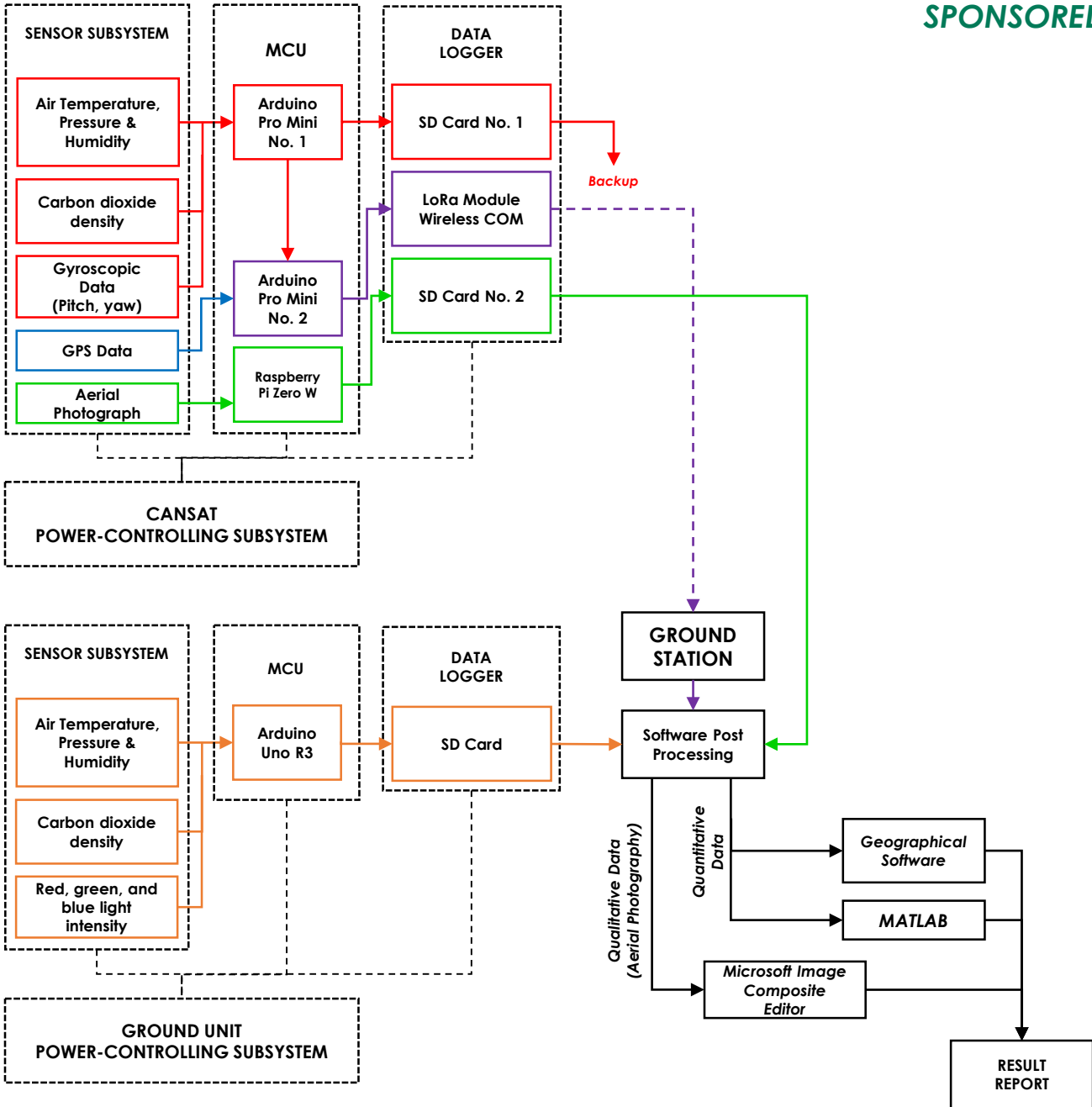
■ ■ | **GROUND UNIT**

■ ■ ■ | **EXISTING DATABASES**

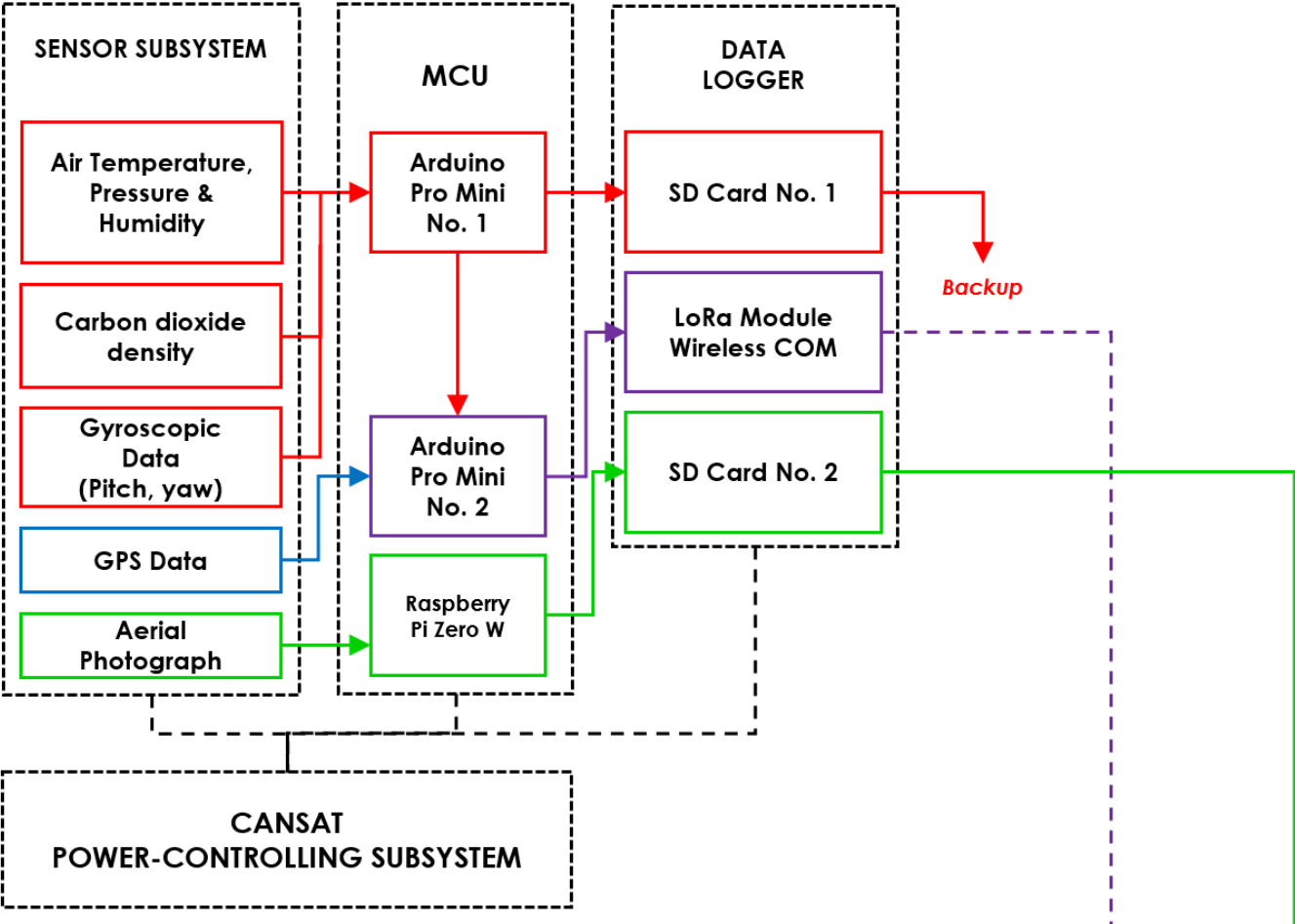
SPONSORED BY AIRASIA THAILAND



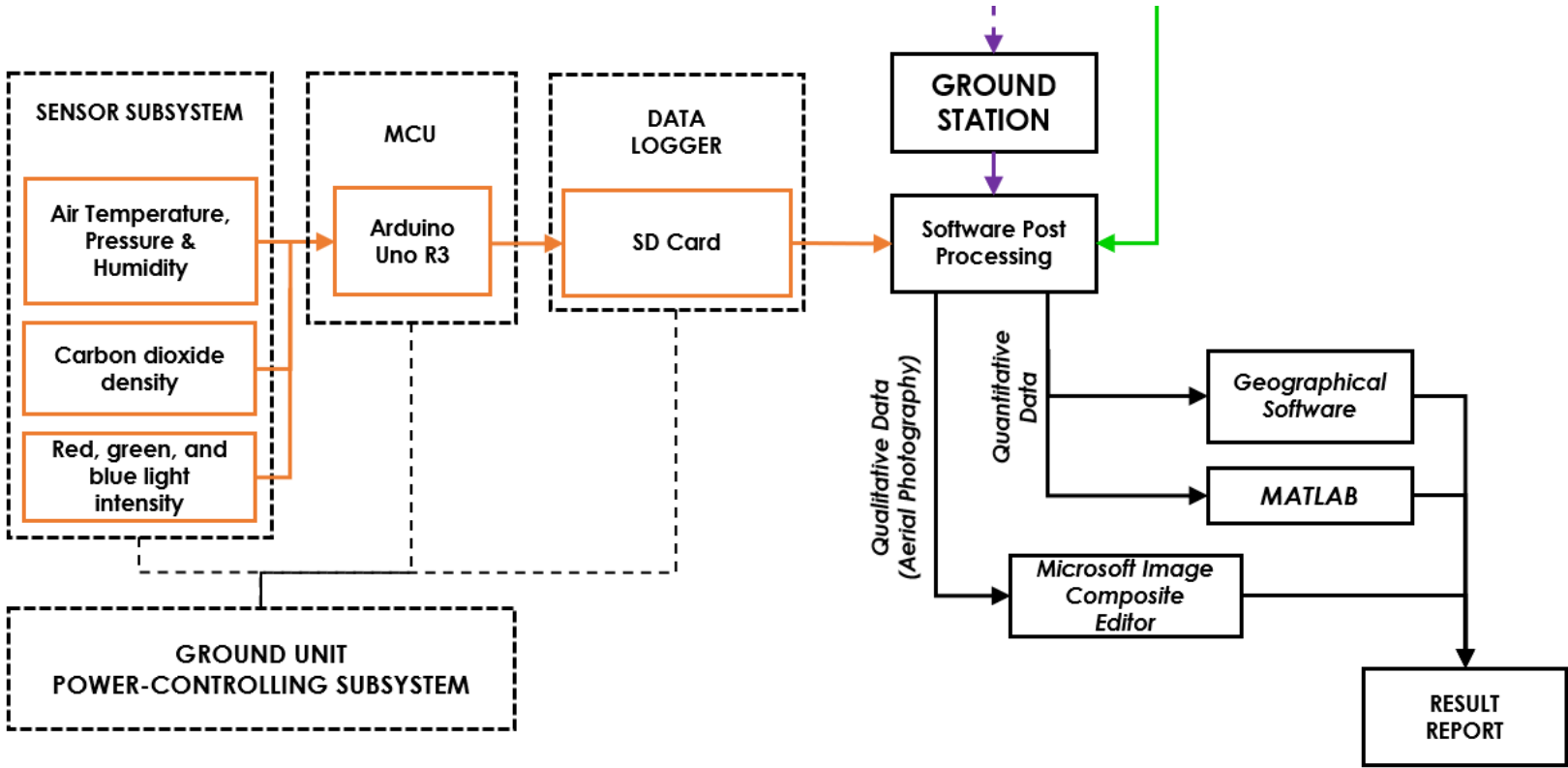
SYSTEM DIAGRAM



SYSTEM DIAGRAM



SYSTEM DIAGRAM



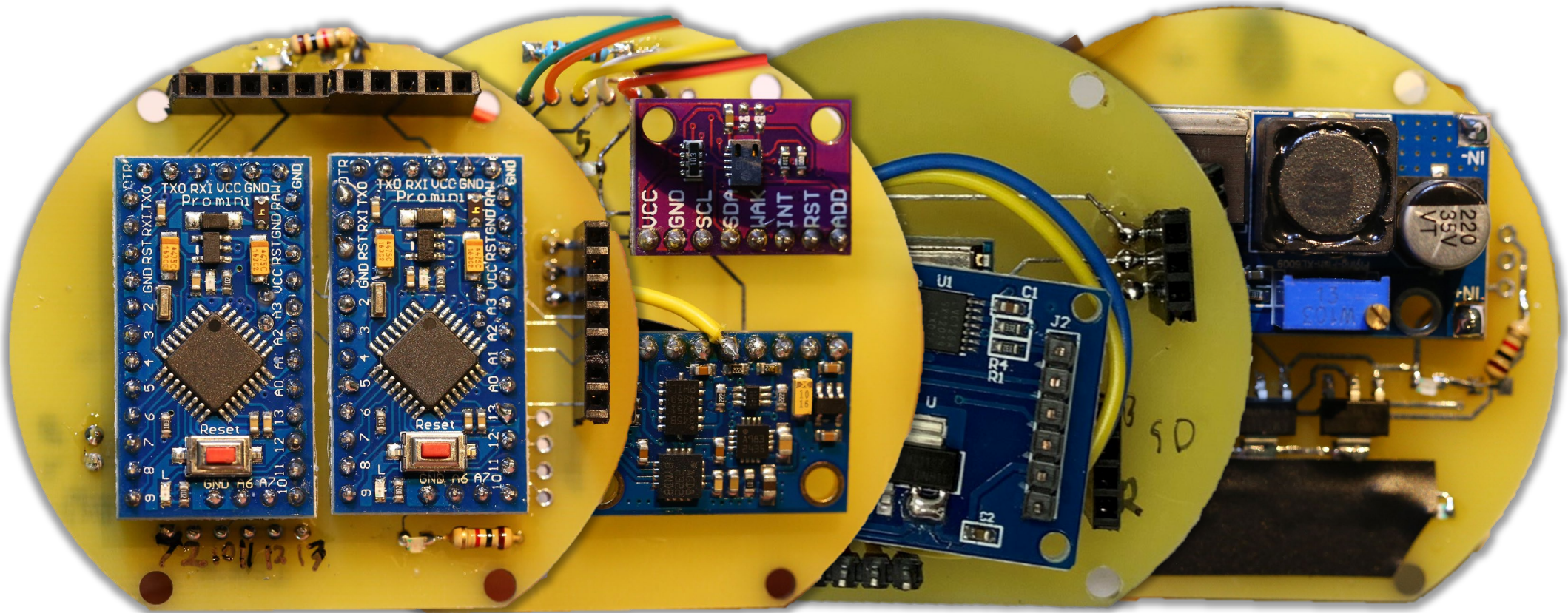
INTEGRATION TEST

- 1. WIRELESS COM. TEST**
- 2. POWER CONSUMPTION TEST**
- 3. DROP TEST**

SPONSORED BY AIRASIA THAILAND



ELECTRONICS: CANSAT

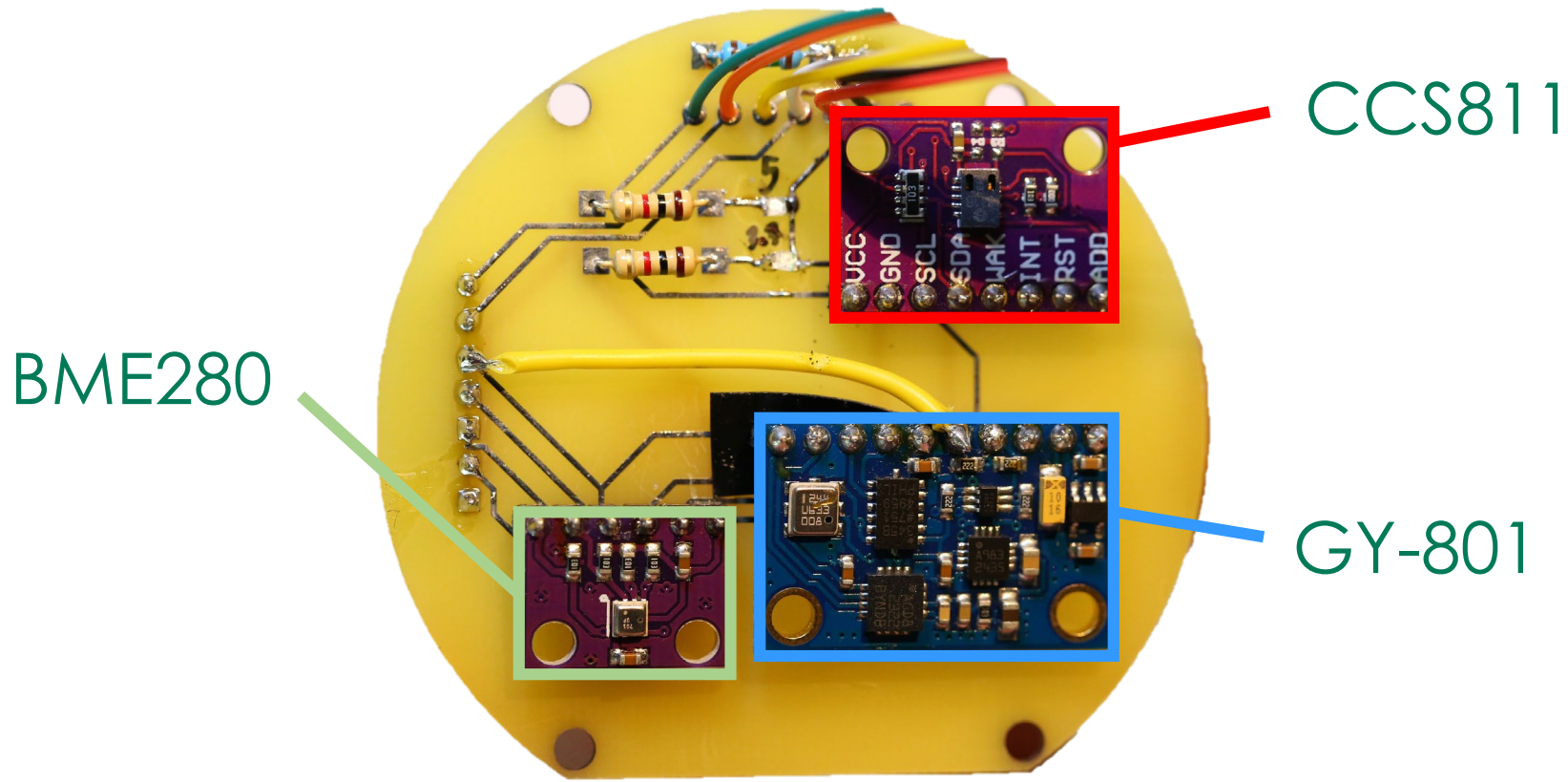


SPONSORED BY AIRASIA THAILAND



ELECTRONICS: CANSAT

SENSORS FLOOR



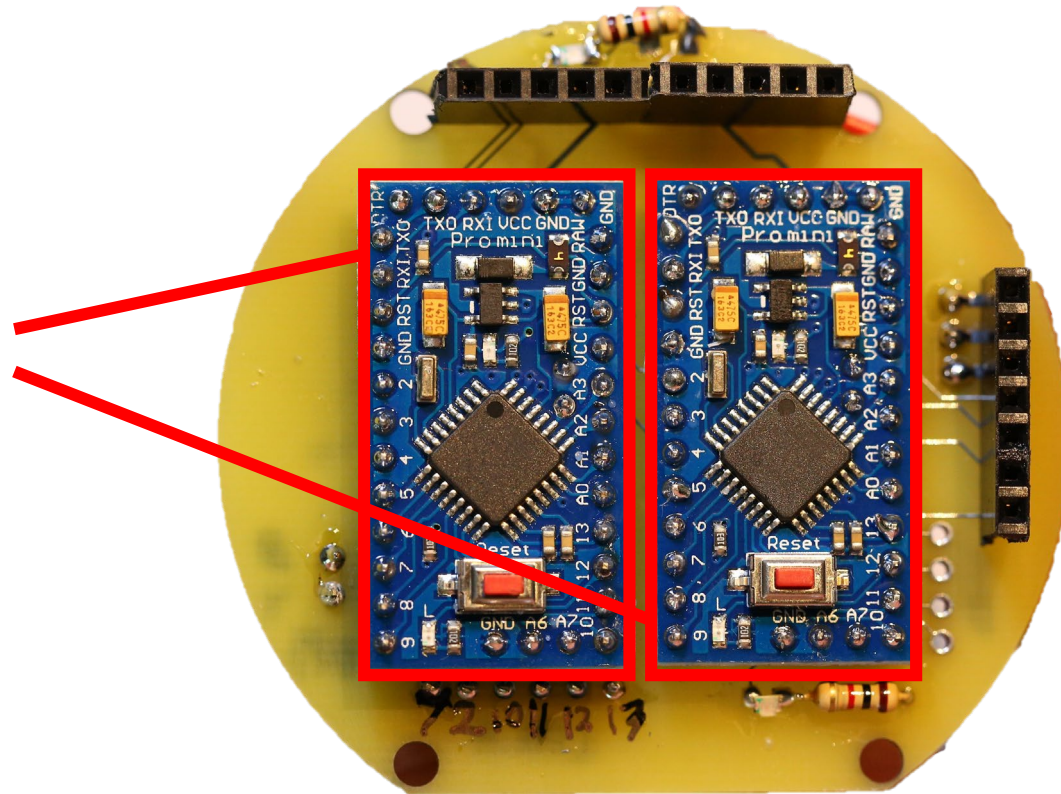
SPONSORED BY AIRASIA THAILAND



ELECTRONICS: CANSAT

MAIN CONTROLLER FLOOR

ARDUINO
PRO MINI



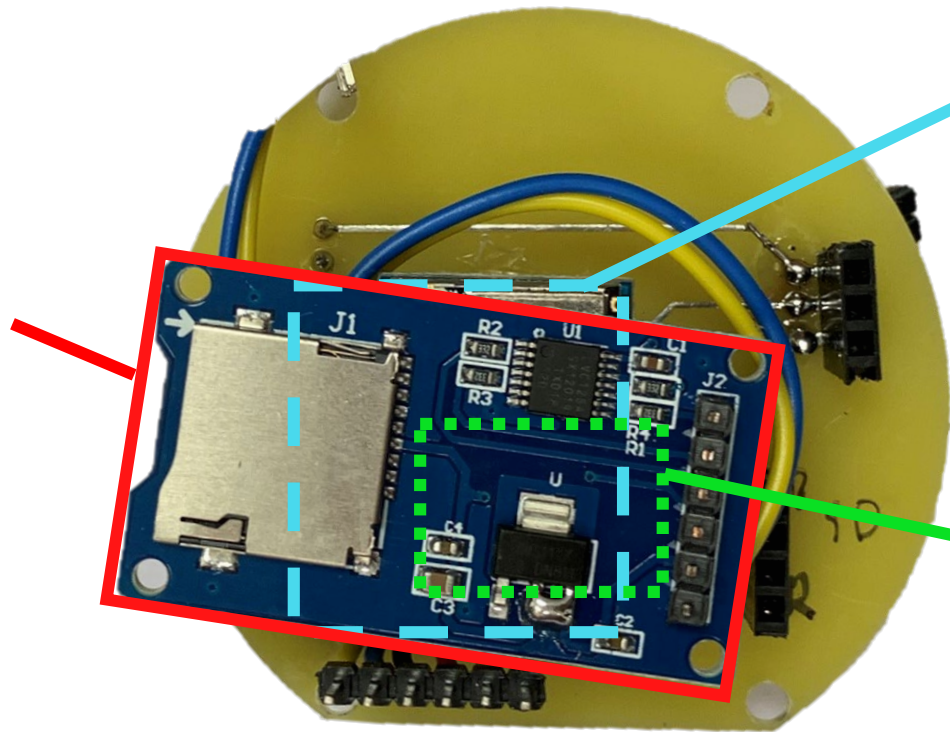
SPONSORED BY AIRASIA THAILAND



ELECTRONICS: CANSAT

COMMUNICATION FLOOR

SD CARD
READER



433 MHz
LORA MODULE

GPS MODULE

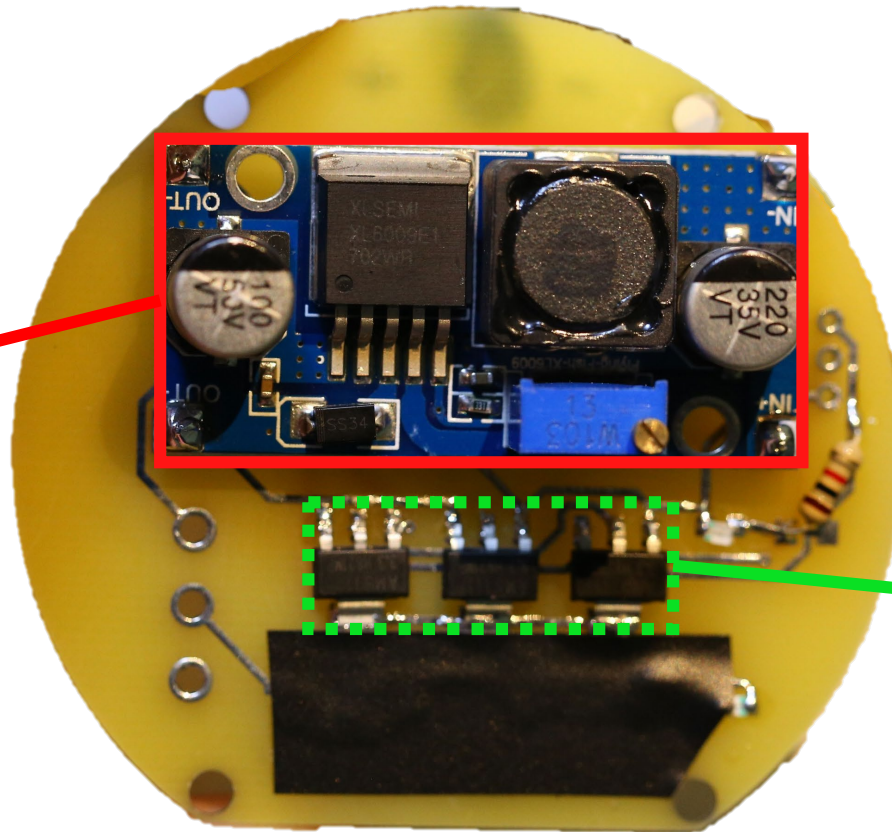
SPONSORED BY AIRASIA THAILAND



ELECTRONICS: CANSAT

POWER SUPPLY FLOOR

5V STEP UP
MODULE



3.3V STEP DOWN
REGULATOR

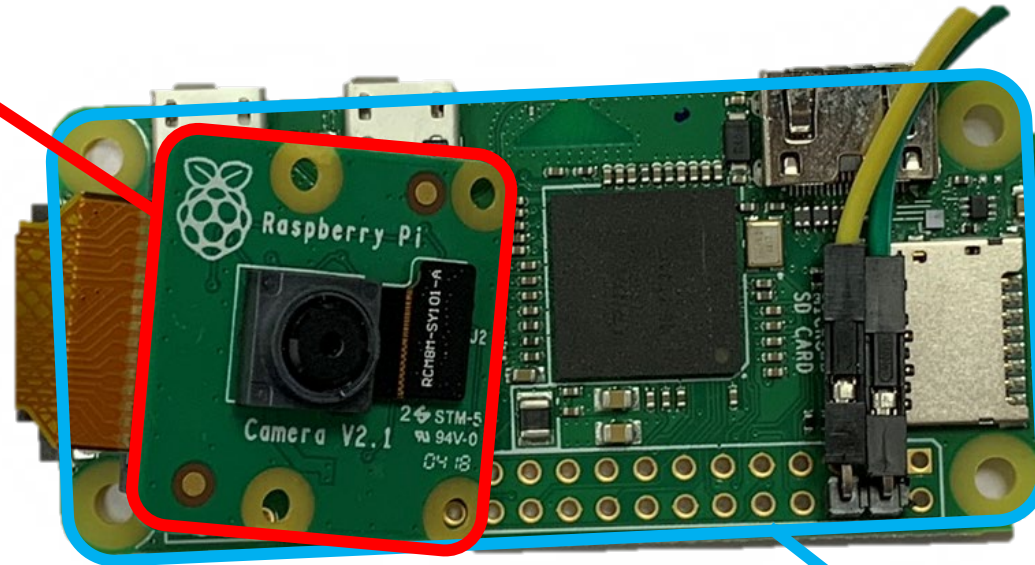
SPONSORED BY AIRASIA THAILAND



ELECTRONICS: CANSAT

CAMERA (RASPBERRY PI)

CAMERA



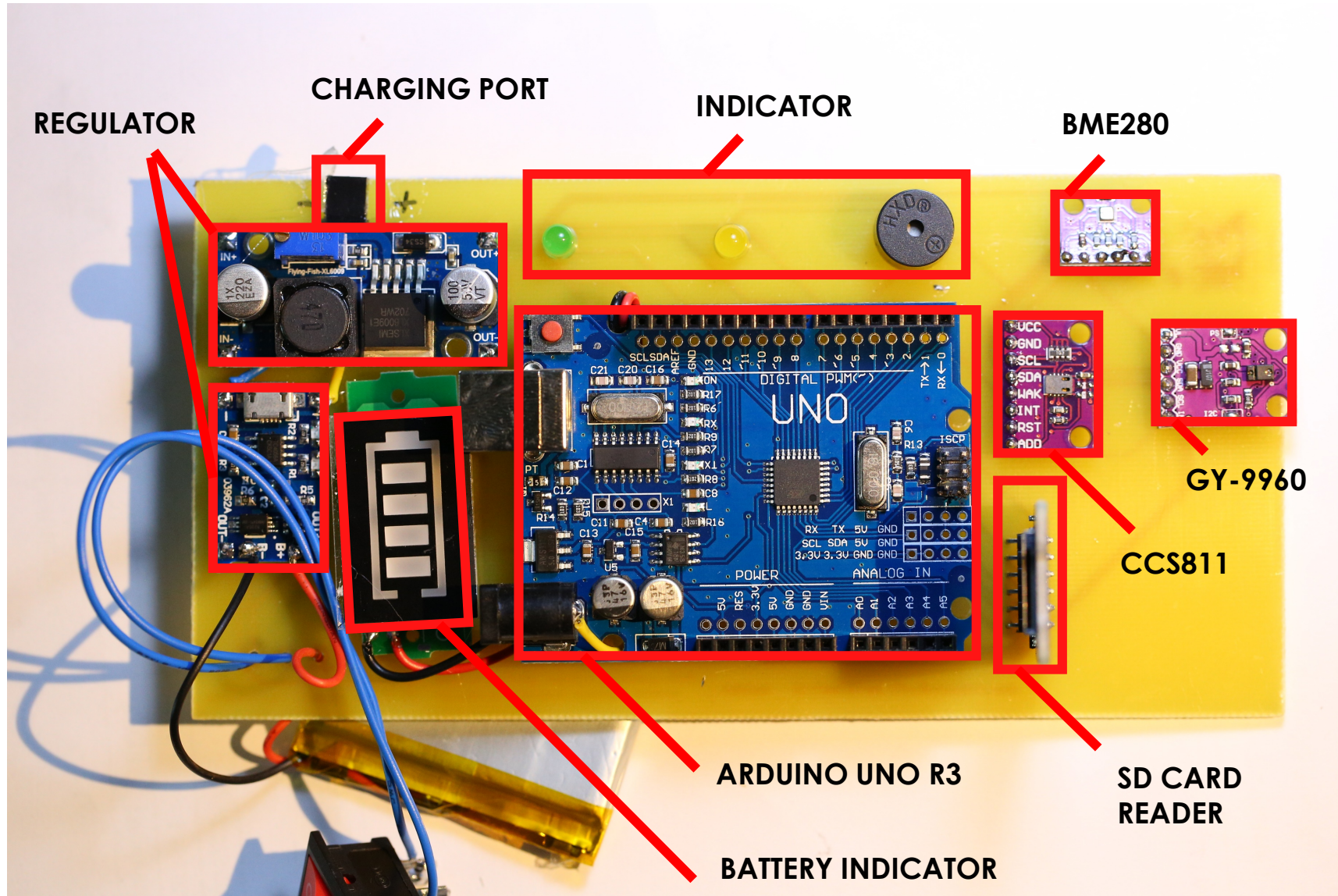
Raspberry Pi Zero W

SPONSORED BY AIRASIA THAILAND



ELECTRONICS: GROUND UNIT

SPONSORED BY AIRASIA THAILAND



COMMUNICATION SYSTEMS

1 WIRED COM.

- I²C : Between Arduino & BME280, CCS811, GY801, GY9960 (*G.Unit*)
- SPI : Between Arduino & SD Card Reader, LoRa SX1278
- Serial : Between Arduino & GPS ATGM336H

2 WIRELESS COM.

LoRa SX1278 @ 488MHz from CanSat (Sender)
to Ground Station (Receiver)

SPONSORED BY AIRASIA THAILAND



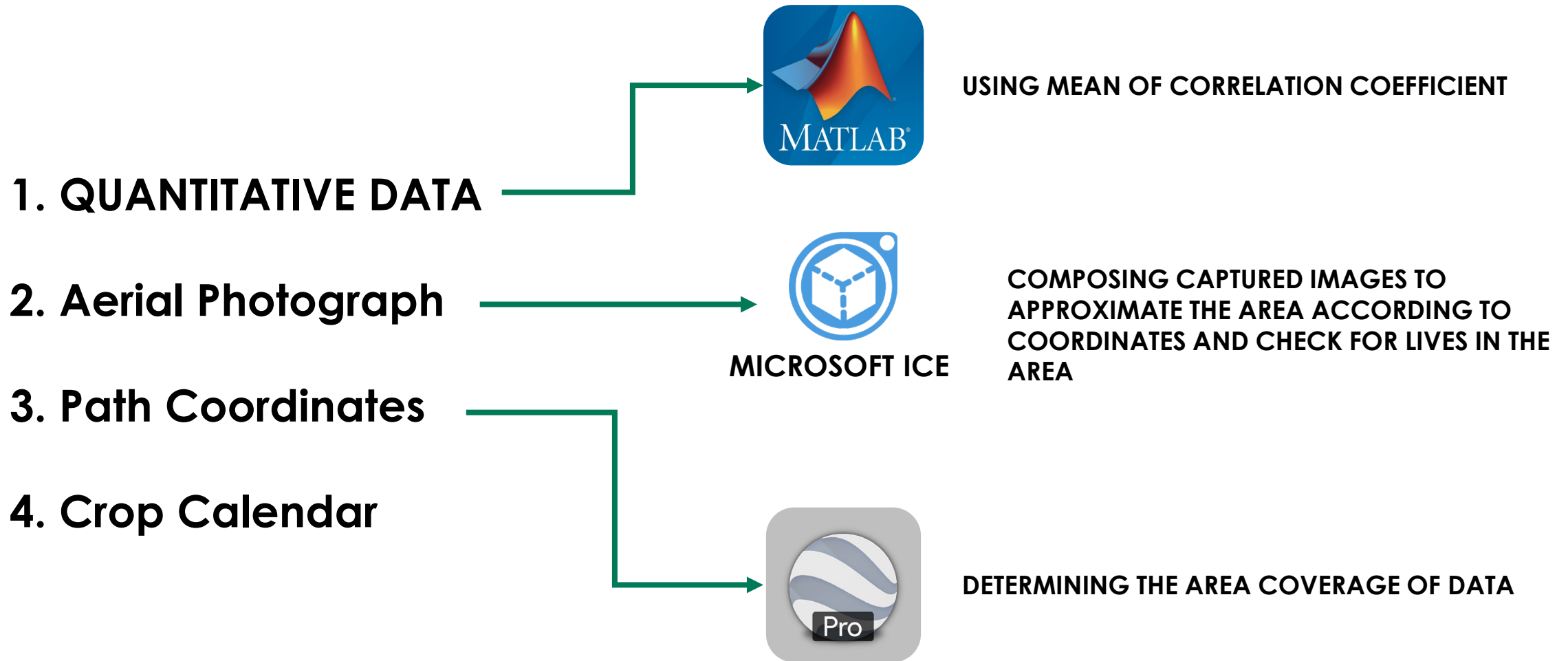
The background is a solid teal color with a faint, repeating pattern of rice stalks and leaves, creating a textured, agricultural feel.

DATA ANALYSIS & RESULTS

Chayakorn Vongbunsin

SPONSORED BY AIRASIA THAILAND

DATA ANALYSIS



SPONSORED BY AIRASIA THAILAND



DATA RESULTS

Suitability of each economic crop in each factor Table

Suitability of factors	I	II	III	IV	V	VI
Temperature (%)	11.78	43.72	9.41	10.56	26.90	38.02
Humidity (%)	39.68	79.16	16.28	46.02	8.72	13.30
CO ₂ intensity (%)	56.80	56.80	56.80	56.80	56.80	56.80
Annual rainfall (%)	37.77	67.91	25.60	40.00	10.62	79.42
Red light (%)	79.61	79.61	79.61	79.61	79.61	79.61
Blue light (%)	79.61	79.61	79.61	79.61	79.61	79.61
Overall (%)	50.88	67.80	44.55	52.10	43.71	57.79

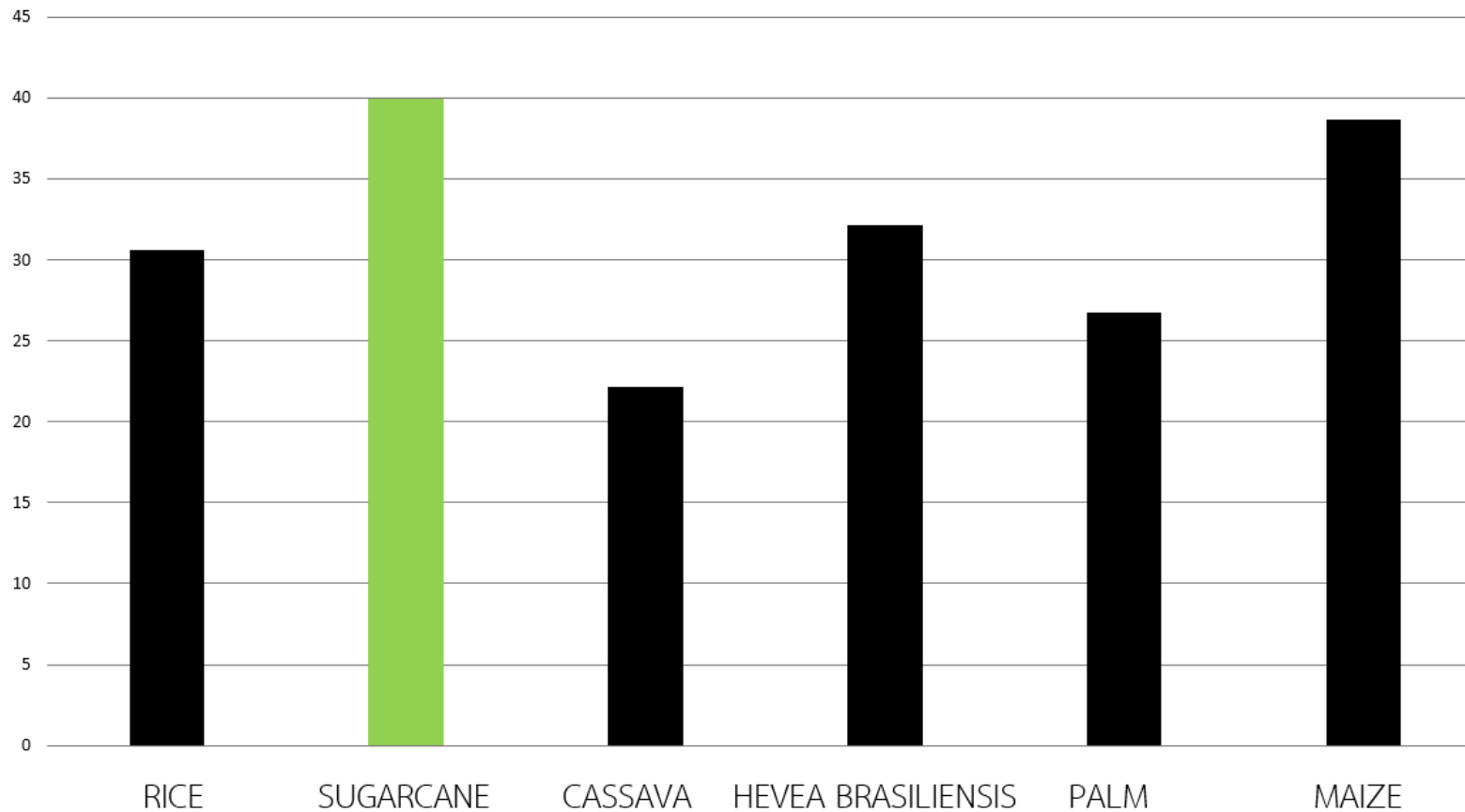
SPONSORED BY AIRASIA THAILAND



RESULT

SUITABILITY (%)

SUITABILITY OF GROWING EACH CROPS BAR GRAPH



SPONSORED BY AIRASIA THAILAND

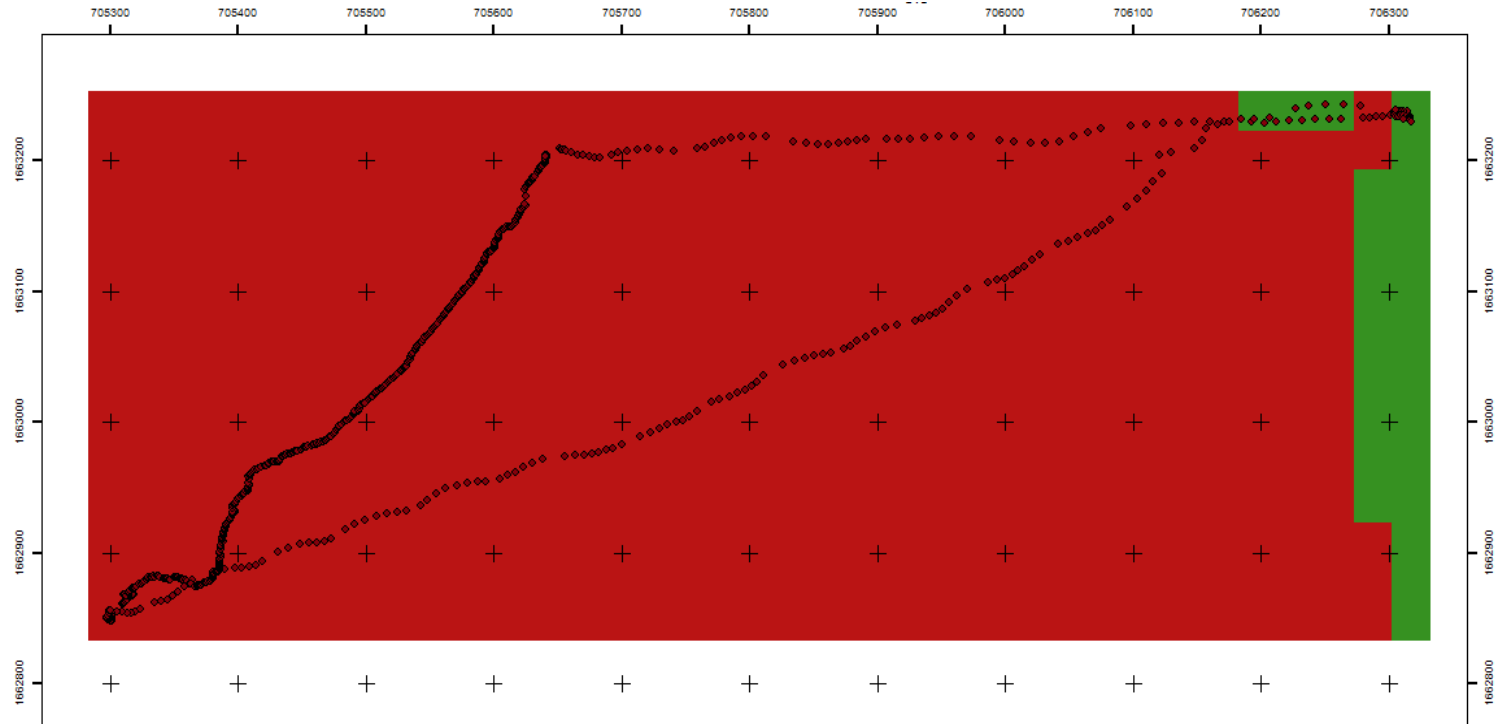
CROP





RESULT : SUITABILITY MAP

Suitability Map

Moderately suitable
Highly suitable

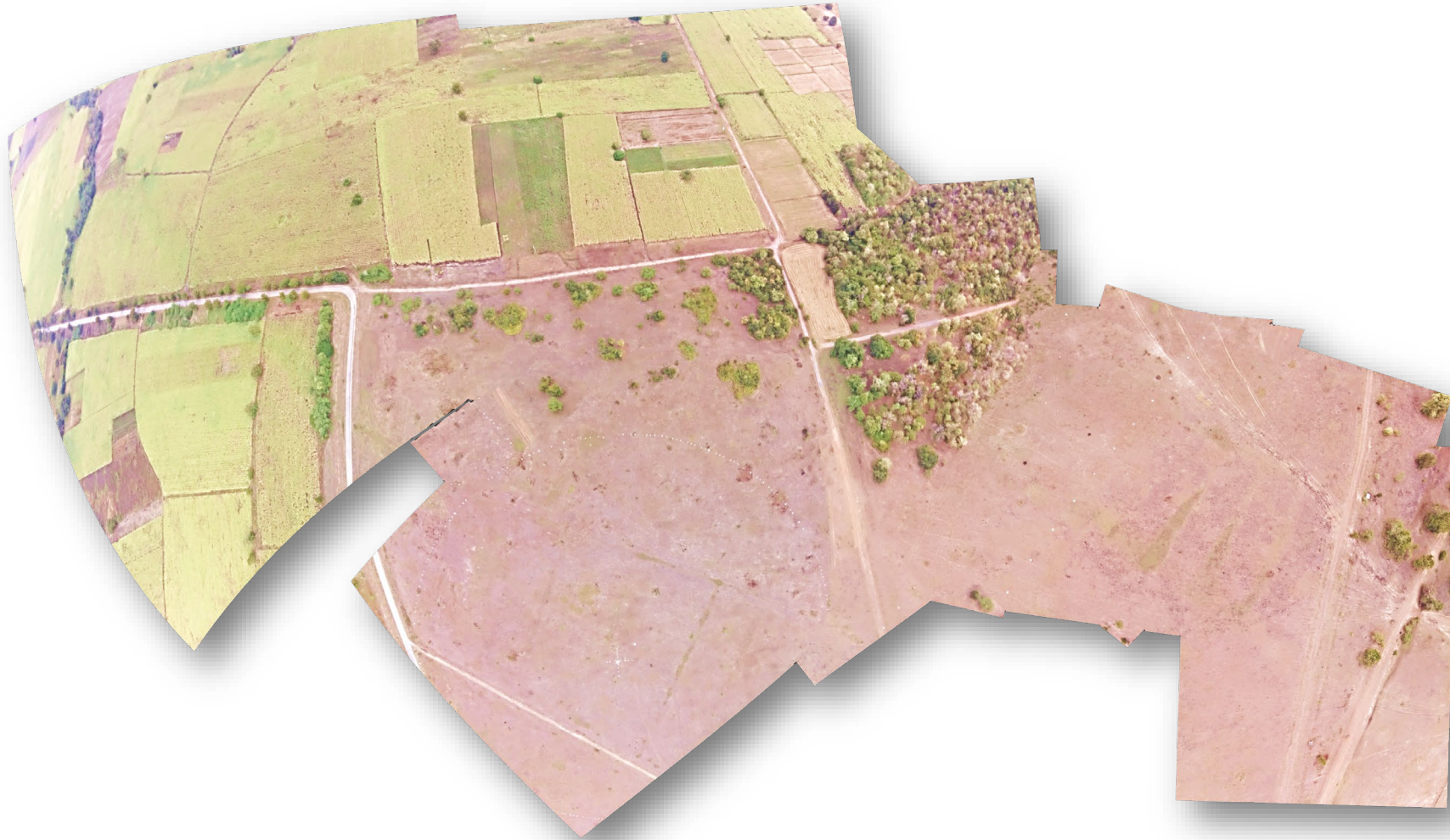


Legend

-  ความเหมาะสมปานกลาง
-  ความเหมาะสมดี



RESULT : AERIAL IMAGERY



SPONSORED BY AIRASIA THAILAND



CONCLUSION

- Benefits:** - Advise agriculturists and farmers to grow the most suitable crop
- Future Developments:** - More Compact Design
- More Advanced Flight Mechanism
- Accuracy & Precision of Data Analysis
- Less Programming Interfaces & Controller
- Competition Prizes:** - The First Place Award
- The Best Presentation Award

The background is a solid teal color with a faint, repeating pattern of rice stalks and leaves, creating a textured, agricultural feel.

Q&A

SPONSORED BY AIRASIA THAILAND